

Features

0.4" digit height (non digital)
High segment intensity
Range of colours
Multiplexing capability
ROHS Compliant

Options

Black or Grey face colour
Colored segments
Copper terminal pins
Long terminal pins
Low current version
Common terminal (pin 3,14)
Common terminal (pin 4,12)



Electro Optical Characteristics $I_F = 20\text{mA}$ ($T_A = 25^\circ\text{C}$)

Part Number		Emitting Colour	Wavelength Peak λ_P (nm)	Forward voltage V_F (V)	
Common Cathode	Common Anode			Typical	Max
040S1B SB	040S1A SB	Superbright Blue	460	2.9	3.2
040S1B UB	040S1A UB	Ultrabright Blue	460	2.9	3.2
040S1B SG	040S1A SG	Superbright Pure Green	530	3.0	3.4
040S1B UG	040S1A UG	Ultrabright Pure Green	530	3.0	3.4
040S1B UYG	040S1A UYG	Superbright Yellow Green	560	2.0	2.2
040S1B UOR	040S1A UOR	Ultrabright Amber	610	1.9	2.2
040S1B UY	040S1A UY	Ultrabright Yellow	590	1.9	2.1
040S1B SR	040S1A SR	Superbright Red	650	1.9	2.1
040S1B UR	040S1A UR	Ultrabright Red	660	1.9	2.1

Part Number		Emitting Colour	Wavelength Peak λ_P (nm)	Forward voltage V_F (V)	
Common Cathode	Common Anode			Typical	Max
040S1D SB	040S1C SB	Superbright Blue	460	2.9	3.2
040S1D UB	040S1C UB	Ultrabright Blue	460	2.9	3.2
040S1D SG	040S1C SG	Superbright Pure Green	530	3.0	3.4
040S1D UG	040S1C UG	Ultrabright Pure Green	530	3.0	3.4
040S1D UYG	040S1C UYG	Superbright Yellow Green	560	2.0	2.2
040S1D UOR	040S1C UOR	Ultrabright Amber	610	1.9	2.2
040S1D UY	040S1C UY	Ultrabright Yellow	590	1.9	2.1
040S1D SR	040S1C SR	Superbright Red	650	1.9	2.1
040S1D UR	040S1C UR	Ultrabright Red	660	1.9	2.1

Absolute Maximum Ratings $T_a=25^\circ\text{C}$

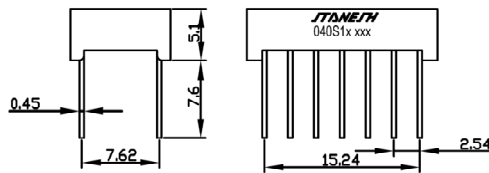
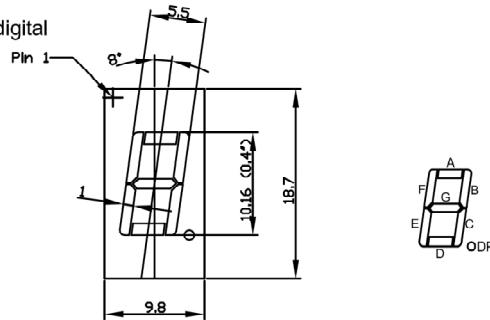
Characteristic	Symbol	Rating	Unit
DC forward current	I_F	20	mA
Reverse Voltage	V_R	5	V
Operating Temperature	T_{opr}	-25 to +80	$^\circ\text{C}$
Storage Temperature	T_{stg}	-30 to +85	$^\circ\text{C}$
Lead Soldering Temperature ¹	-	260	$^\circ\text{C}$

¹ 1.6mm from body – max 3 seconds

Product Diagram (All dimensions are in mm)

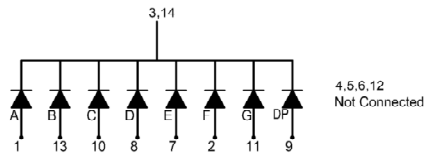
040S1x xxx

0.4" non digital



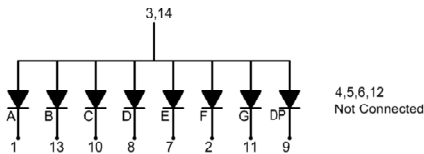
040S1B xxx

Common cathode



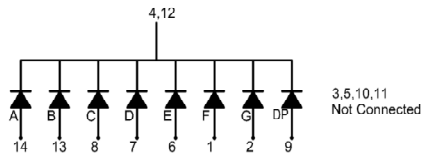
040S1A xxx

Common anode



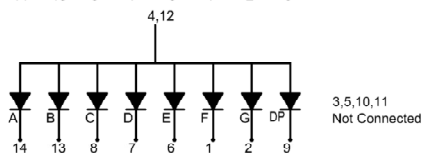
040S1C xxx

Common cathode



040S1C xxx

Common anode



**Specifications may change due to new materials or product improvement*